

# KOBELCO

Performance  Design

## SK26SR SK28SR

■ Bucket capacity:

SK26SR 0.08 m<sup>3</sup>

SK28SR 0.08 m<sup>3</sup>

■ Engine power:

18.9 kW / 2,400 min<sup>-1</sup>

■ Operating weight:

SK26SR 2,500 – 2,800 kg

SK28SR 2,980 – 3,270 kg



Complies with the EU Stage V  
exhaust emission regulation

**We Save You Fuel**  
Achieving a Low-Carbon Society

# Performance Design

Mini excavator SK26SR/SK28SR of KOBELCO has realised a completely new value by harmonising PERFORMANCE and DESIGN.

Performance enhancements offer great efficiency and productivity along with increased power. Design improvements provide the ultimate in comfort and control.

KOBELCO refuses to compromise, creating machines that meet every challenge.





# UNFORGETTABLE COMFORT

Our pursuit of functional beauty and aesthetic sense produced a new interior design.





### Suspension seat

A proven Grammer suspension seat is fitted as standard, offering a reclining mechanism, shock absorber, and excellent seating comfort.

### Wrist rests

The enlarged wrist rests keep the operator's forearms in a stable position, reducing fatigue during operation, and allowing stable operation.



### Air conditioner

Additional air vents provide an air flow to envelop the operator's body. In addition, the defrosters placed in front, right and back have also been improved to ensure visibility when the air conditioner is in use.



### LED Illumination

Dials and buttons are now backlit to provide a bright, clear view in any lighting condition.



### Smartphone holder/ USB/AUX port

# FUNCTIONAL WORK ENVIRONMENT

Realisation of the operator's convenience and comfort.



## Colour monitor

A colour display with good readability comes as standard and shows various information such as operating history, maintenance cycle, and fuel and water temperature gauges. It can also be used to adjust the hydraulic oil flow to the attachments.



## Hydraulic flow adjustment (Option)

Rotation or N&B piping flow can be selected from six preset types, or adjusted arbitrarily.



## Engine start password

A password is required when starting the engine for greater security.



## Energy conservation mode

There are 2 working modes: one for maximum power, and ECO-mode for increased fuel economy.



## Auto deceleration

Auto deceleration saves fuel and lowers engine noise by lowering engine speed to idle.



## Maintenance information



## Operation history



### Easy-access cab

The hinged door is adopted to provide large entrance space. Furthermore, the flip-up left console with integrated pilot control lock lever allows for easy entry and exit from the cab.



### Ergonomic lever angles

Operators can move levers horizontally without twisting their wrists, reducing fatigue.

### Proportional hand control for rotation & N&B piping (Option)

Precise proportional controls are integrated into the joystick for ease of operation.



### Slide-open window

The right side window can slide open from the front or the back for increased ventilation and to hear ground workers when required.



**DAB+ radio**  
(FM/AM & AUX & Bluetooth® & hands-free telephone)



**Speaker**



**12V power outlet**



**Coat hook**



**Cup holder**



**Utility box**



**LED door light**



**Front under glass holder**



# EXPERIENCING A COMPETENT PERFORMANCE

The engine output is increased compared to previous models, providing extra power.

»»» Engine output

**18.9** kW / **2,400** min<sup>-1</sup>

The newly adopted ECO-mode saves even more energy.

»»» Fuel consumption

Reduced by **25%**

(Compared to H-mode)

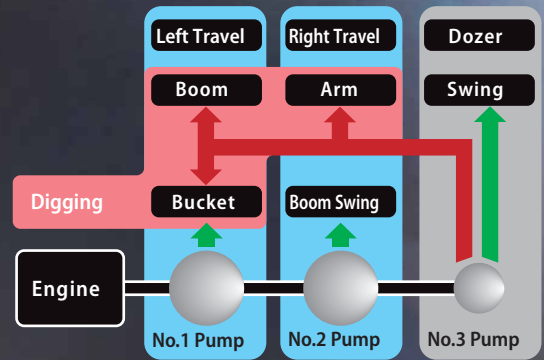


## Smoother operation

The new hydraulic system improves levelling performance.

## Integrated-Flow Pump System

During the digging operation, depending upon job condition, the machine provides the additional flow to the boom, arm or bucket circuit, from No.3 pump (swing and dozer pump), to increase available input power to those functions.



# COMPACT, YET, BIG PERFORMANCE

**Min. swing radius at boom swing**

1,930 mm (SK26SR)  
1,900 mm (SK28SR)


Figures above show the values for cab with standard arm spec.

**Tail swing radius**

775 mm (SK26SR)  
775 mm (SK28SR)

**Short tail swing**

The compact tail swing improves operating efficiency in limited space.



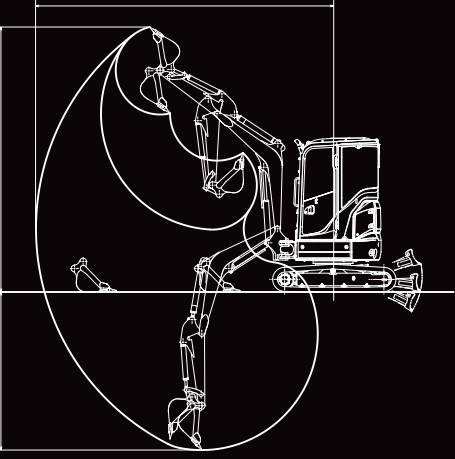
**Tail overhang**

**0 mm (90 mm)**

(without rear view mirror)

Figure in ( ) shows the value with additional counterweight.

4,770 mm (SK26SR)  
4,840 mm (SK28SR)



4,250 mm (SK26SR)  
4,480 mm (SK28SR)

**Arm length** 1.15 m (SK26SR)  
1.18 m (SK28SR)

Figures above show the values for cab.

**Wide working range**

Long arms are provided as option equipment to ensure a wide working range.

# EASY TRANSPORTABILITY

Weighing just 2,580 kg\*, the SK26SR is easily transported on a 3.5-ton trailer with plenty of room to spare for the simultaneous transport of a bucket or other attachment.



\*Machine Mass for Cab, rubber shoe, std CW, 0.07 m<sup>3</sup> (58 kg) bucket.

# VERSATILITY



## Hydraulic piping for quick hitch (Option)

Various attachments, such as the bucket, can be easily mounted and dismantled without leaving the cab, increasing working speed.



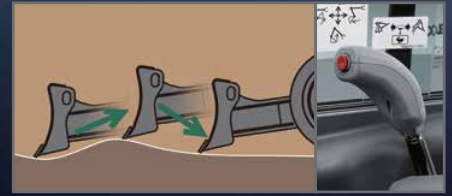
## Dozer lever

The new ergonomic dozer lever has 1st/2nd travel speed select switch integrated into the handle for easier dozer functions.



## Dozer-blade shape

KOBELCO's unique blade design solves this problem by forming the earth into an arc that always falls forward. Because this prevents earth from falling behind the blade, only "one pass" is needed.

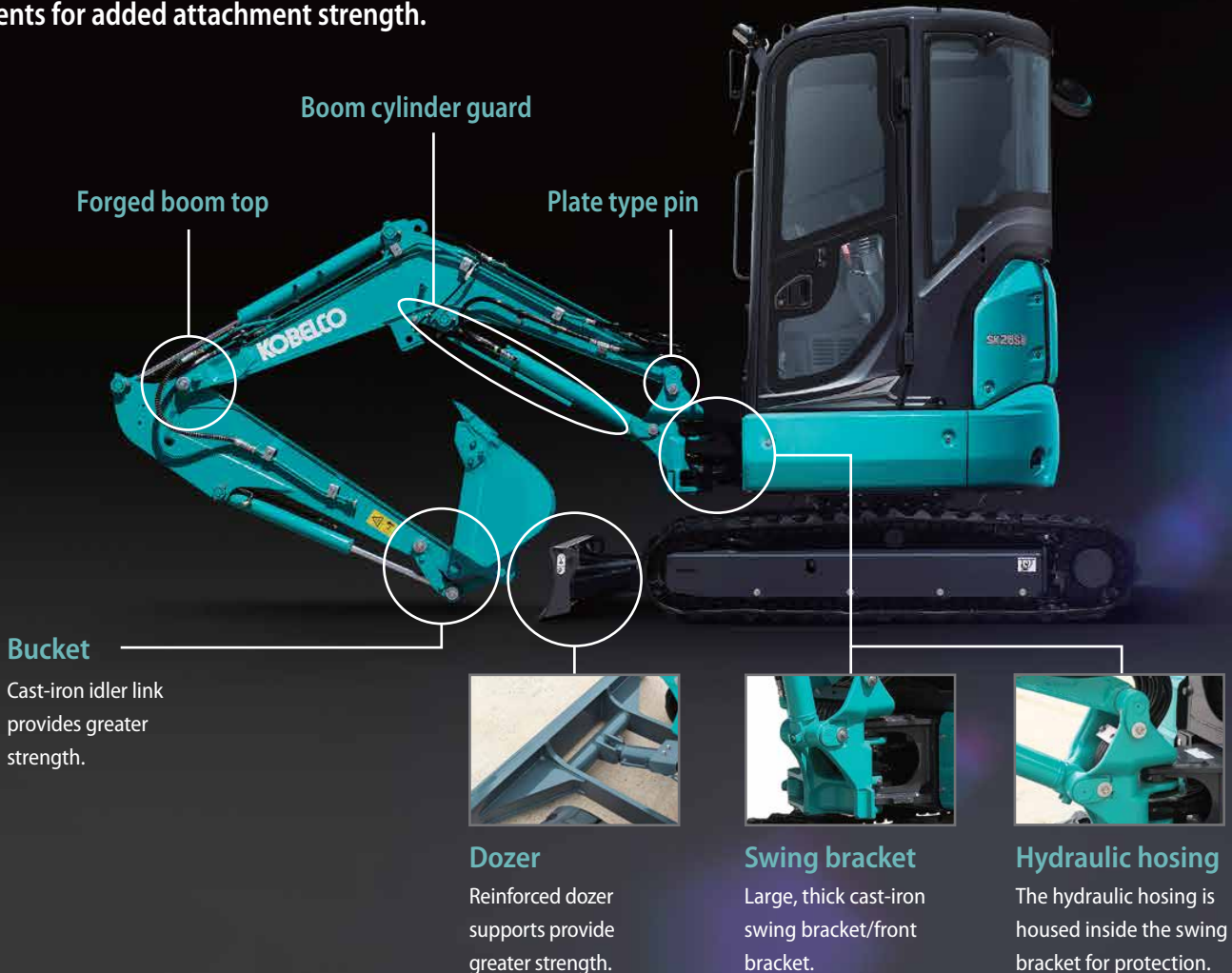


## Floating dozer (Option)

Dozer float is optional to assist in easier leveling work. Floating function can be activated by the switch which is integrated into the dozer control lever.

# RELIABLE CONSTRUCTION

The boom, arm and swing bracket all have large cross-section segments for added attachment strength.



Boom cylinder guard

Forged boom top

Plate type pin

## Bucket

Cast-iron idler link provides greater strength.



## Dozer

Reinforced dozer supports provide greater strength.



## Swing bracket

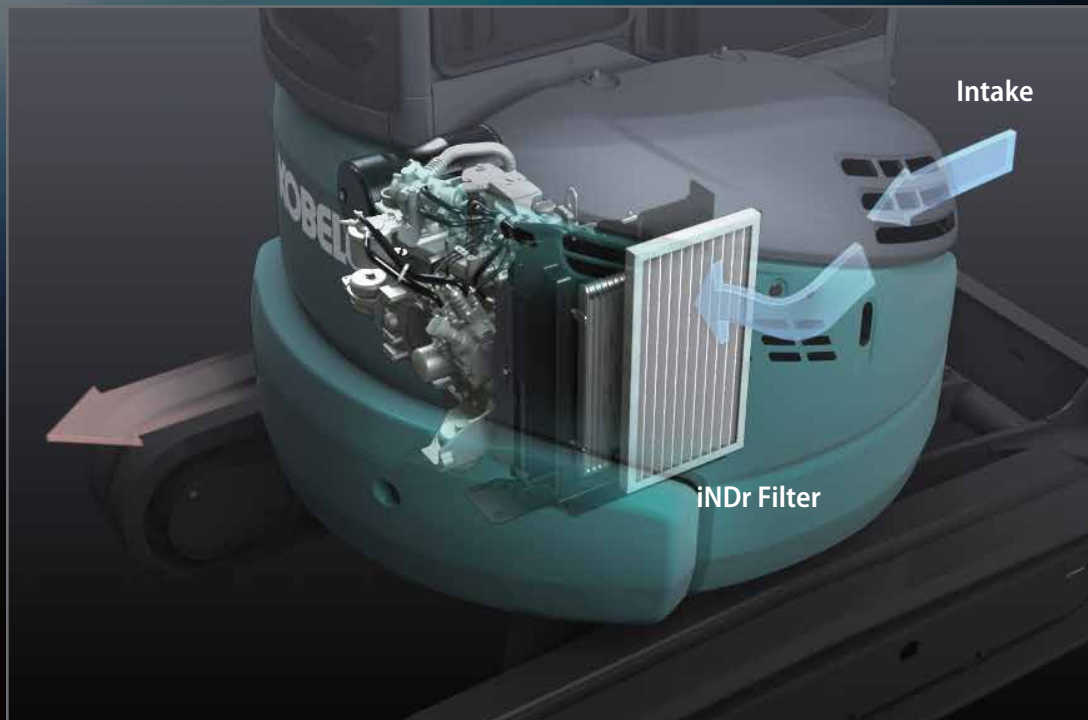
Large, thick cast-iron swing bracket/front bracket.



## Hydraulic hosing

The hydraulic hosing is housed inside the swing bracket for protection.

# NON-STOP OPERATION BY iNDr



## Ultimate low noise

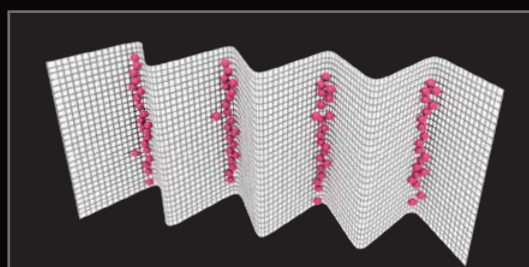
KOBELCO's exclusive iNDr Cooling System delivers amazingly quiet operation.

Sound Power Level



## iNDr

A high-density mesh filter blocks dust intruding during air intake. This prevents the cooling device and the air cleaner from clogging with dust and maintains their performances. The ridges of the corrugated filter allow the air to pass through, and the grooves collect the dust, which prevents the filter from clogging.



The iNDr filter has a high-density mesh of 30 lines per inch to collect dust.

# EASY MAINTENANCE

Easy daily maintenance that saves the trouble of inspection and cleaning.



## Easy Access to Component Inside the Cab



Hour meter



Cab fresh air intake filter



Cab re-circulation air filter



Operator manual storage pockets

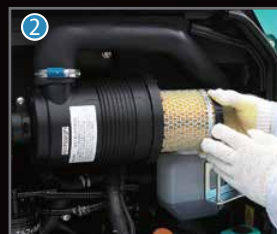
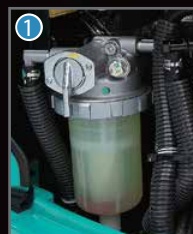
## Easy Access to Cooling Unit



iNDr filter

Laid out for easy access to radiator and cooling system.

## Easy Access to Engine Compartment



- ① Pre fuel filter with built-in water separator
- ② Air cleaner
- ③ High-grade fuel filter

# OPERATOR SAFETY



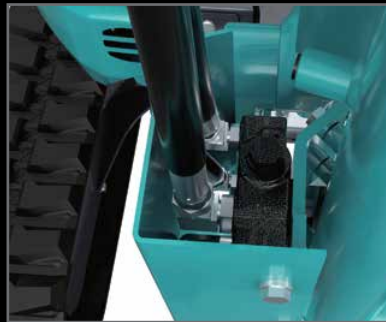
## Reliable cab/canopy structure

The high-strength cab/canopy meets ROPS, TOPS and OPG Level 1 (Top guard) standards for greater operator safety.



## LED work light

Changed from halogen light to LED light for more brightness.



## Safety valve for boom cylinder (Option)



## Safety valve for arm cylinder (Option)



## Good visibility

The wiper mount has been moved to the upper right of the cab support and the skylight opening has been enlarged, improving visibility to the front and above.



## Rear view mirror



## Rear under mirror



## Hammer for emergency exit



## Accumulator for emergency attachment lowering

An installed accumulator allows the attachment to be safely lowered to the ground using in-cab controls in the event of an unexpected engine shut-down and class leading smooth operation.

## Standard and Optional Equipment

● = Std ○ = Opt — = N/A

Category	Description	SK26SR-7	SK28SR-7
ENGINE	YANMAR 3TNV88 (EU Stage V compliant)	●	●
	Alternator 12 V /40 A	●	●
	Starter motor 12 V/1.7 kW	●	●
	Battery 1x 12 V (80 Ah)	●	●
	Fan suction type cooling system	●	●
	iNDr system	●	●
	Auto deceleration function	●	●
	Accelerator dial	●	●
	ECO-mode	●	●
	Engine start password	●	●
HYDRAULIC SYSTEM	Integrated-Flow Pump System	●	●
	Foot control (for N&B piping)	●	●
	PHC (for N&B piping) with hydraulic flow adjustment	○	○
	PHC (for Rotation &N&B piping) with hydraulic flow adjustment	○	○
	Hydraulic oil VG32	●	●
	Hydraulic oil VG46	○	○
PIPING	Hydraulic oil VG68	○	○
	N&B piping	●	●
	Rotation & N&B piping	○	○
CABIN	QH piping	○	○
	Suspension seat (Canopy: PVC / Cab: fabric)	●	●
	Headrest*	●	●
	Retractable seatbelt	●	●
	Multi-function color display	●	●
	LED door light*	●	●
	Air-conditioner*	●	●
	DAB+ radio (FM/AM & AUX & USB & Bluetooth* & hands free telephone)*	●	●
	Cup holder	●	●
	Coat hook*	●	●
	Smart phone holder*	●	●
	USB/AUX port*	●	●
LIGHTS	12V power outlet	●	●
	Harness for cab beacon light*	●	●
WORKING EQUIPMENT	LED work lights ; 1 on boom, 1 on cab top front / canopy front	●	●
	Standard boom (2.09 m)	●	—
	Standard boom (2.17 m)	—	●
	Standard arm (1.15 m)	●	—
	Standard arm (1.18 m)	—	●
	Long arm (1.40 m)	○	—
	Long arm (1.48 m)	—	○
COUNTERWEIGHT	Standard C/W	●	●
	Additional C/W (+250 kg)	○	○
UNDERCARRIAGE	250 mm rubber shoe	●	—
	250 mm steel shoe	○	—
	300 mm rubber shoe	—	●
	300mm steel shoe	—	○
	Dozer blade (1,550 mm)	●	●
SAFETY EQUIPMENT	Floating dozer	○	○
	Cab (ROPS(ISO 3471 : 2008) / TOPS(ISO 12117 : 1997) / OPG(ISO 10262 : 1998)	●	●
	Canopy (ROPS(ISO 3471 : 2008) / TOPS(ISO 12117 : 1997) / OPG(ISO 10262 : 1998)	○	○
	Front guard	○	○
	Top guard*	○	○
	OHK (safety valve for boom & arm cylinder + lifting hook + overload alarm)	○	○
	Rear view mirror (left)	○	○
	Rear under mirror (right rear)	○	○
OTHERS	Travel alarm	○	○
	Boom cylinder rod guard	●	●
	Arm & bucket cylinder rod guard	○	○
	RAL colour	○	○

\* Only for Cab

Note: The air conditioning system on this machine contains fluorinated greenhouse gas HFC-134a (GWP 1430). Quantity of gas 0.6 kg (CO<sub>2</sub> equivalent 0.9 t). Bluetooth\* is a registered trademark of the Bluetooth SIG Inc.

## Engine

Model	YANMAR 3TNV88
Type	Four-cycle, water-cooled, direct injection diesel engine, complies with EU Stage V exhaust emission regulation
No. of cylinders	3
Bore and stroke	88 mm x 90 mm
Displacement	1,642 ml
Rated power output	17.9 kW / 2,400 min <sup>-1</sup> (ISO 9249: with fan) 18.9 kW / 2,400 min <sup>-1</sup> (ISO 14396: without fan)
Max. torque	88.0 N·m / 1,440 min <sup>-1</sup> (ISO 14396: without fan)

## Hydraulic system

Pump	
Type	Two variable displacement axial piston pumps + one gear pump + pilot pump
Max. discharge flow	2 x 28.8 L/min 1 x 16.1 L/min 1 x 10.8 L/min
Relief valve setting	
Boom, arm and bucket	23.0 MPa {235 kgf/cm <sup>2</sup> }
Travel circuit	23.0 MPa {235 kgf/cm <sup>2</sup> }
Swing circuit	16.6 MPa {169 kgf/cm <sup>2</sup> }
Control circuit	3.5 MPa {36 kgf/cm <sup>2</sup> }
Pilot control pump	Gear type
Main control valve	10-Spool valve
Oil cooler	Air cooled type

## Swing system

Swing motor	One fixed displacement piston motor
Brake	Hydraulic; locking automatically when the swing control lever is in the neutral position
Parking brake	Wet multiple plate
Swing speed	7.9 min <sup>-1</sup>
Swing torque	4.2 kN·m

## Dozer blade

Dozer cylinder	85 mm x 135 mm
----------------	----------------

## Travel system

Travel motors	Two variable displacement piston motor
Travel brakes	Hydraulic brake
Parking brakes	Wet multiple plate
Travel shoes	80 each side
Travel speed	4.4/2.6 km/h (rubber shoe) 4.3/2.5 km/h (steel shoe)
Drawbar pulling force	27.9 kN (Cab) / 28.0 kN (Canopy)
Gradeability	58% {30°}

## Cab & control

Cab	
All-weather, insulated floor mat.	
Control	
Two hand levers and two foot pedals for travel	
Two hand levers for excavating and swing	
Electric rotary-type engine throttle	
Foot control (for boom swing)	
Foot control (for N&B piping)	
Dozer lever	
Noise levels	
External	92 dB(A) (2000/14/EC)
Operator	80 dB(A) (ISO 6396)

## Boom, arm & bucket

	bore x stroke
Boom cylinder	70 mm x 458 mm
Arm cylinder	70 mm x 494 mm
Bucket cylinder	60 mm x 417 mm
Swing cylinder	75 mm x 477 mm

## Refilling capacities & lubrications

Fuel tank	42 L
Cooling system	3.8 L
Engine oil	6.7 L
Travel reduction gear	2 x 0.6 L
Hydraulic oil tank	16.0 L tank oil level
	31.0 L hydraulic system

## Operating weight & ground pressure

In standard trim, with standard boom and 0.07 m<sup>3</sup> (58 kg) bucket.

Arm length	1.15 m				1.40 m			
	Cab		Canopy		Cab		Canopy	
Shaped	Steel shoe	Rubber shoe	Steel shoe	Rubber shoe	Steel shoe	Rubber shoe	Steel shoe	Rubber shoe
Shoe width	mm 250							
Overall width of crawler	mm 1,550							
Ground pressure	kPa 31.3	30.1	29.5	28.3	31.5	30.3	29.7	28.5
Operating weight	kg 2,790	2,650	2,630	2,500	2,800	2,670	2,640	2,510
Machine mass	kg 2,710	2,580	2,560	2,420	2,730	2,590	2,570	2,430



## Working ranges

Unit: mm

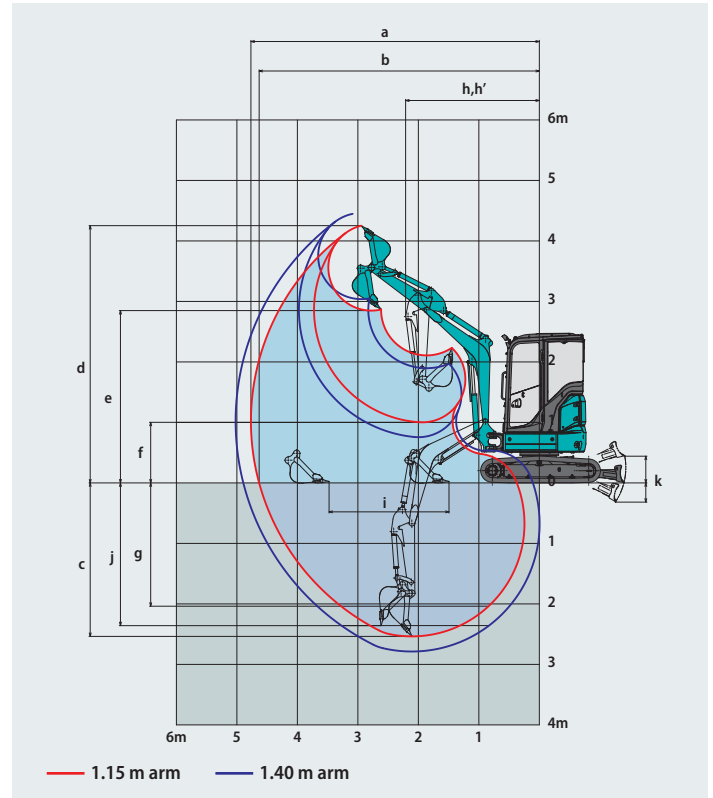
Model	SK26SR	
Arm length	1.15 m	1.40 m
a- Max. digging reach	4,770	5,020
b- Max. digging reach at ground level	4,630	4,890
c- Max. digging depth	2,540	2,790
d- Max. digging height	4,250	4,450
e- Max. dumping clearance	2,850	3,040
f- Min. dumping clearance	1,000	775
g- Max. vertical wall digging depth	2,360	2,610
h- Min. swing radius at boom straight	2,210	2,240
h'-Min. swing radius at boom swing	1,930	1,960
i- Horizontal digging stroke at ground level	1,980	2,300
j- Digging depth for 2.4 m (8') flat bottom	2,040	2,360
k- Dozer blade (height/depth)	440/315	

\*Figures in the above table show the value with 0.07 m<sup>3</sup> bucket.

## Digging force (ISO 6015)

Unit: kN

Model	SK26SR	
Arm length	1.15 m	1.40 m
Bucket digging force	20.8	
Arm crowding force	14.2	12.4



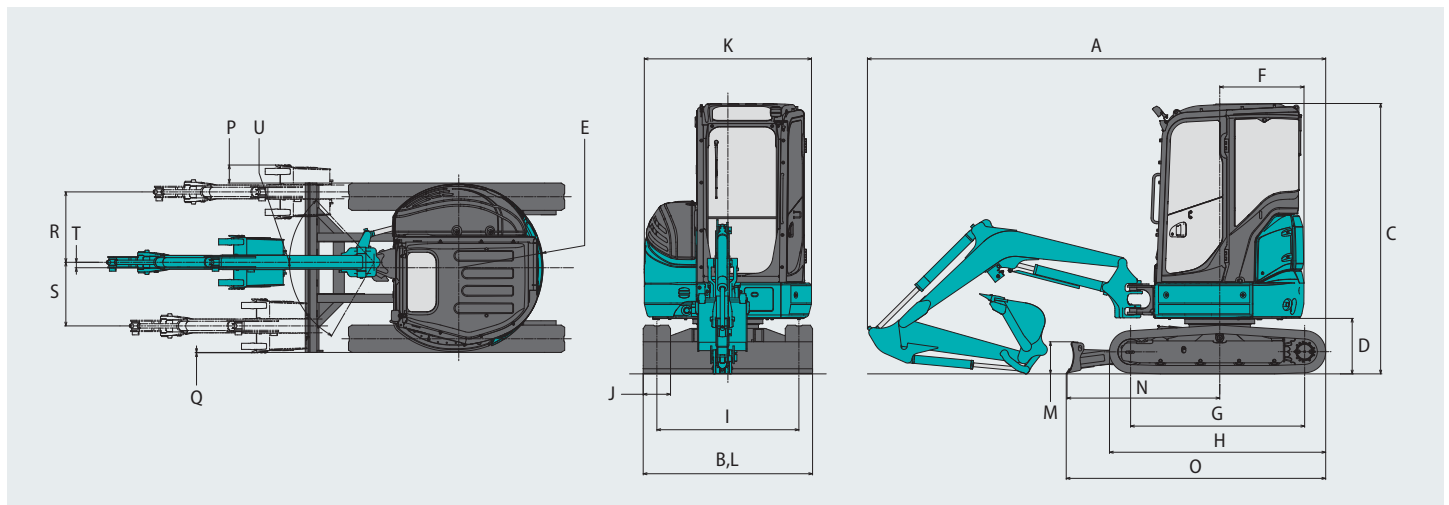
## Dimensions

Model	SK26SR	
Arm length	1.15 m	1.40 m
A Overall length	4,190	4,260
B Overall width	1,550	
C Overall height (to top of cab/canopy)	2,470/2,440	
D Ground clearance of rear end*	510	
E Tail swing radius {additional counterweight}	775/865**	
F Distance from center of swing to rear end {additional counterweight}	775/865**	
G Tumbler distance	1,590	
H Overall length of crawler	1,980	
I Track gauge	1,300	
J Shoe width	250	
K Overall width of upperstructure	1,530	

Unit: mm

L Blade width	1,550
M Blade height	295
N Distance from dozer top to center of upperstructure	1,400
O Basic machine length	2,380
P Digging distance outside crawler shoe (right)	165
Q Digging distance outside crawler shoe (left)	5
R Boom offset volume (right)	645
S Boom offset volume (left)	580
T Offset volume of boom center	50
U Boom swing angle (left/right)	60°/47°

\*Without including height of shoe lug \*\*Standard counterweight + additional counterweight



## Engine

Model	YANMAR 3TNV88
Type	Four-cycle, water-cooled, direct injection diesel engine, complies with EU Stage V exhaust emission regulation
No. of cylinders	3
Bore and stroke	88 mm x 90 mm
Displacement	1,642 ml
Rated power output	17.9 kW / 2,400 min <sup>-1</sup> (ISO 9249: with fan) 18.9 kW / 2,400 min <sup>-1</sup> (ISO 14396: without fan)
Max. torque	88.0 N·m / 1,440 min <sup>-1</sup> (ISO 14396: without fan)

## Hydraulic system

Pump	
Type	Two variable displacement axial piston pumps + one gear pump + pilot pump
Max. discharge flow	2 x 28.8 L/min 1 x 16.1 L/min 1 x 10.8 L/min
Relief valve setting	
Boom, arm and bucket	23.0 MPa {235 kgf/cm <sup>2</sup> }
Travel circuit	23.0 MPa {235 kgf/cm <sup>2</sup> }
Swing circuit	20.0 MPa {204 kgf/cm <sup>2</sup> }
Control circuit	3.5 MPa {36 kgf/cm <sup>2</sup> }
Pilot control pump	Gear type
Main control valve	10-Spool valve
Oil cooler	Air cooled type

## Swing system

Swing motor	One fixed displacement piston motor
Brake	Hydraulic; locking automatically when the swing control lever is in the neutral position
Parking brake	Wet multiple plate
Swing speed	8.2 min <sup>-1</sup>
Swing torque	5.7 kN·m

## Dozer blade

Dozer cylinder	90 mm x 180 mm
----------------	----------------

## Travel system

Travel motors	Two variable displacement piston motor
Travel brakes	Hydraulic brake
Parking brakes	Wet multiple plate
Travel shoes	88 each side
Travel speed	3.8/2.1 km/h (rubber shoe) 3.7/2.0 km/h (steel shoe)
Drawbar pulling force	34.7 kN (Cab) / 34.8 kN (Canopy)
Gradeability	58 % {30°}

## Cab & control

Cab	
All-weather, insulated floor mat.	
Control	
Two hand levers and two foot pedals for travel	
Two hand levers for excavating and swing	
Electric rotary-type engine throttle	
Foot control (for boom swing)	
Foot control (for N&B piping)	
Dozer lever	
Noise levels	
External	92 dB(A) (2000/14/EC)
Operator	80 dB(A) (ISO 6396)

## Boom, arm & bucket

Boom cylinder	75 mm × 565 mm
Arm cylinder	70 mm × 548 mm
Bucket cylinder	65 mm × 445 mm
Swing cylinder	75 mm × 477 mm

## Refilling capacities & lubrications

Fuel tank	42 L
Cooling system	3.8 L
Engine oil	6.7 L
Travel reduction gear	2 x 0.6 L
Hydraulic oil tank	20.4 L tank oil level 44.8 L hydraulic system

## Operating weight & ground pressure

In standard trim, with standard boom and 0.07 m<sup>3</sup> (58 kg) bucket.

Arm length	1.18 m				1.48 m			
	Cab		Canopy		Cab		Canopy	
Shaped	Steel shoe	Rubber shoe	Steel shoe	Rubber shoe	Steel shoe	Rubber shoe	Steel shoe	Rubber shoe
Shoe width	mm 300							
Overall width of crawler	mm 1,550							
Ground pressure	28.5	27.6	27.1	26.2	28.6	27.7	27.2	26.3
Operating weight	3,250	3,140	3,090	2,980	3,270	3,160	3,110	3,000
Machine mass	3,180	3,070	3,020	2,910	3,190	3,080	3,030	2,920

## Working ranges

Unit: mm

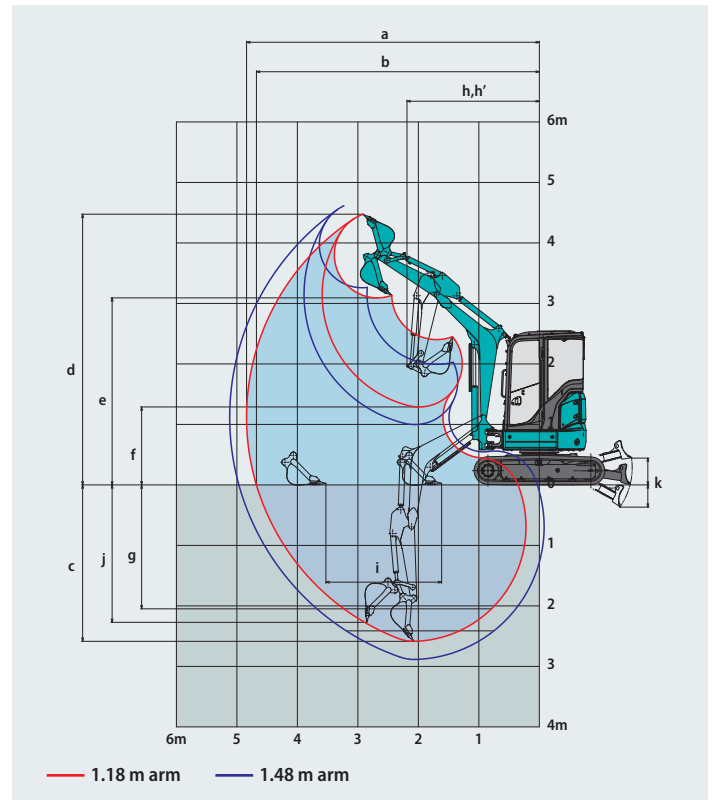
Model	SK28SR	
Arm length	1.18 m	1.48 m
a- Max. digging reach	4,840	5,120
b- Max. digging reach at ground level	4,680	4,970
c- Max. digging depth	2,590	2,890
d- Max. digging height	4,480	4,610
e- Max. dumping clearance	3,090	3,260
f- Min. dumping clearance	1,290	1,000
g- Max. vertical wall digging depth	2,270	2,140
h- Min. swing radius at boom straight	2,190	2,260
h'-Min. swing radius at boom swing	1,900	1,970
i- Horizontal digging stroke at ground level	1,910	2,290
j- Digging depth for 2.4 m (8') flat bottom	2,050	2,410
k- Dozer blade (height/depth)	450/370	

\*Figures in the above table show the value with 0.07 m<sup>3</sup> bucket.

## Digging force (ISO 6015)

Unit: kN

Model	SK28SR	
Arm length	1.18 m	1.48 m
Bucket digging force	24.7	
Arm crowding force	16.6	14.2



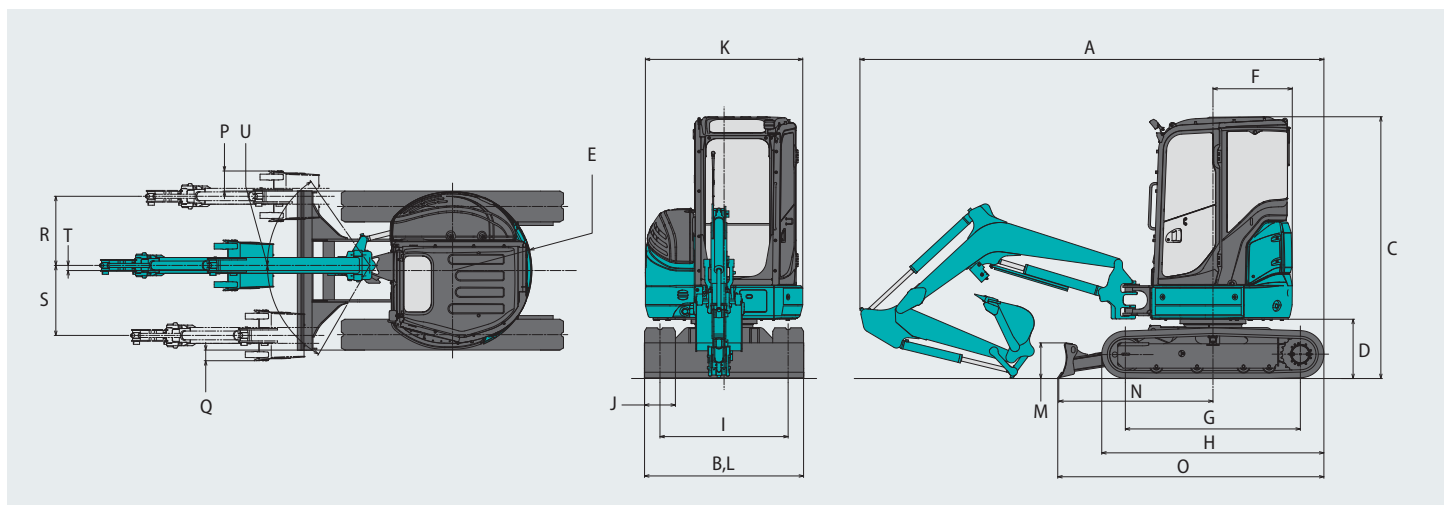
## Dimensions

Model	SK28SR	
Arm length	1.18 m	1.48 m
A Overall length	4,510	4,550
B Overall width	1,550	
C Overall height (to top of cab/canopy)	2,550/2,510	
D Ground clearance of rear end*	575	
E Tail swing radius {additional counterweight}	775/865**	
F Distance from center of swing to rear end {additional counterweight}	775/865**	
G Tumbler distance	1,700	
H Overall length of crawler	2,160	
I Track gauge	1,250	
J Shoe width	300	
K Overall width of upperstructure	1,530	

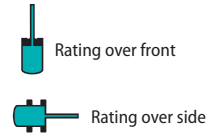
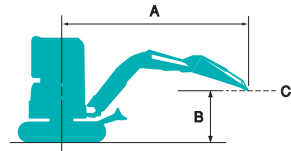
Unit: mm

L Blade width	1,550
M Blade height	345
N Distance from dozer top to center of upperstructure	1,500
O Basic machine length	2,590
P Digging distance outside crawler shoe (right)	195
Q Digging distance outside crawler shoe (left)	105
R Boom offset volume (right)	670
S Boom offset volume (left)	680
T Offset volume of boom center	50
U Boom swing angle (left/right)	60°/55°

\*Without including height of shoe lug \*\*Standard counterweight + additional counterweight



# Lift capacities



A: Reach from swing centreline to arm top  
 B: Arm top height above/below ground  
 C: Lift point  
 Bucket: Without  
 Dozer: Blade up  
 Relief valve setting: 23.0 MPa

SK26SR Canopy		Arm: 1.15 m Standard counterweight Rubber shoe: 250 mm																	
B	A	1.0 m		1.5 m		2.0 m		2.5 m		3.0 m		3.5 m		4.0 m		At max. reach		Radius	
		Rating over front	Rating over side	Rating over front	Rating over side	Rating over front	Rating over side	Rating over front	Rating over side	Rating over front	Rating over side	Rating over front	Rating over side	Rating over front	Rating over side	Rating over front	Rating over side		
3.5 m	kg																570	470	2.86 m
3.0 m	kg																430	360	3.36 m
2.5 m	kg									520	430	400	330				370	300	3.69 m
2.0 m	kg									510	420	400	330				330	270	3.90 m
1.5 m	kg							660	530	500	400	390	320	310	260		310	250	4.02 m
1.0 m	kg							630	510	480	390	380	310	310	250		300	250	4.06 m
0.5 m	kg							610	490	470	380	370	300	310	250		300	250	4.01 m
G.L.	kg					870	670	600	480	460	370	370	300				320	260	3.89 m
-0.5 m	kg	*1,170	*1,170	*1,340	1,130	870	670	600	480	460	370	370	300				340	280	3.67 m
-1.0 m	kg			1,580	1,140	880	680	610	480	460	370						400	320	3.33 m
-1.5 m	kg			*1,350	1,170	900	700	620	500								520	420	2.81 m

SK26SR Canopy		Arm: 1.15 m Additional counterweight (+250 kg) Rubber shoe: 250 mm																	
B	A	1.0 m		1.5 m		2.0 m		2.5 m		3.0 m		3.5 m		4.0 m		At max. reach		Radius	
		Rating over front	Rating over side	Rating over front	Rating over side	Rating over front	Rating over side	Rating over front	Rating over side	Rating over front	Rating over side	Rating over front	Rating over side	Rating over front	Rating over side	Rating over front	Rating over side		
3.5 m	kg																*580	*580	2.86 m
3.0 m	kg																550	460	3.36 m
2.5 m	kg									*530	*530	510	430				470	390	3.69 m
2.0 m	kg									*580	540	510	420				430	360	3.90 m
1.5 m	kg							*820	680	630	520	500	420	410	340		400	340	4.02 m
1.0 m	kg							810	660	620	510	490	410	400	330		390	330	4.06 m
0.5 m	kg							790	640	600	490	480	400	400	330		400	330	4.01 m
G.L.	kg					1,120	880	780	630	590	490	480	390				410	340	3.89 m
-0.5 m	kg	*1,170	*1,170	*1,340	*1,340	1,130	880	780	630	590	480	480	390				450	370	3.67 m
-1.0 m	kg			*1,910	1,480	1,140	890	780	630	600	490						520	430	3.33 m
-1.5 m	kg			*1,350	*1,350	*960	910	*700	650								*530	*530	2.81 m

SK26SR Canopy		Arm: 1.40 m Standard counterweight Rubber shoe: 250 mm																		
B	A	1.0 m		1.5 m		2.0 m		2.5 m		3.0 m		3.5 m		4.0 m		At max. reach		Radius		
		Rating over front	Rating over side	Rating over front	Rating over side	Rating over front	Rating over side	Rating over front	Rating over side	Rating over front	Rating over side	Rating over front	Rating over side	Rating over front	Rating over side	Rating over front	Rating over side			
3.5 m	kg																460	380	3.24 m	
3.0 m	kg																370	300	3.68 m	
2.5 m	kg											410	340				320	260	3.97 m	
2.0 m	kg											410	330				320	260	3.97 m	
1.5 m	kg											*510	420	400	330	320	260	290	240	4.16 m
1.0 m	kg							670	540	500	410	390	320	310	260		280	230	4.27 m	
0.5 m	kg							640	510	480	390	380	310	310	250		270	220	4.31 m	
G.L.	kg					870	670	610	480	460	370	370	300	300	240		270	220	4.27 m	
-0.5 m	kg	*930	*930	*1,130	1,090	850	660	590	460	450	360	360	290	300	240		300	240	4.15 m	
-1.0 m	kg	*1,350	*1,350	1,540	1,110	860	660	590	470	450	360	360	290				340	280	3.65 m	
-1.5 m	kg	*1,870	*1,870	1,570	1,130	880	680	600	480	460	370						420	340	3.20 m	
-2.0 m	kg					*680	*680										*430	*430	2.50 m	

SK26SR Canopy		Arm: 1.40 m Additional counterweight (+250 kg) Rubber shoe: 250 mm																		
B	A	1.0 m		1.5 m		2.0 m		2.5 m		3.0 m		3.5 m		4.0 m		At max. reach		Radius		
		Rating over front	Rating over side	Rating over front	Rating over side	Rating over front	Rating over side	Rating over front	Rating over side	Rating over front	Rating over side	Rating over front	Rating over side	Rating over front	Rating over side	Rating over front	Rating over side			
3.5 m	kg																*510	480	3.24 m	
3.0 m	kg																470	400	3.68 m	
2.5 m	kg											*470	430				420	350	3.97 m	
2.0 m	kg											*460	430				420	350	3.97 m	
1.5 m	kg											*510	*510	*490	420	410	340	380	320	4.16 m
1.0 m	kg											*710	690	*600	520	500	410	410	340	4.27 m
0.5 m	kg											810	660	620	510	490	400	400	330	4.31 m
G.L.	kg					1,120	880	790	630	600	490	480	390	390	330		360	300	4.27 m	
-0.5 m	kg	*930	*930	*1,130	*1,130	1,110	860	770	620	590	480	470	390	390	320		370	310	4.15 m	
-1.0 m	kg	*1,350	*1,350	*1,660	1,440	1,110	870	770	620	580	470	470	380				400	330	3.95 m	
-1.5 m	kg	*1,870	*1,870	*1,750	1,460	1,130	880	780	630	590	480						450	370	3.65 m	
-2.0 m	kg					*680	*680										*510	450	3.20 m	
																	*430	*430	2.50 m	

SK26SR Cab		Arm: 1.15 m Standard counterweight Rubber shoe: 250 mm																	
B	A	1.0 m		1.5 m		2.0 m		2.5 m		3.0 m		3.5 m		4.0 m		At max. reach		Radius	
3.5 m	kg																*580	490	2.86 m
3.0 m	kg																460	380	3.36 m
2.5 m	kg									*530	460	430	350				390	320	3.69 m
2.0 m	kg									550	440	420	350				350	290	3.90 m
1.5 m	kg							710	570	530	430	420	340	270			330	270	4.02 m
1.0 m	kg							670	540	510	410	410	330	330	270		320	260	4.06 m
0.5 m	kg							650	520	500	400	400	320	330	270		330	260	4.01 m
G.L.	kg					930	710	640	510	490	390	390	320				340	280	3.89 m
-0.5 m	kg	*1,170	*1,170	*1,340	1,200	930	720	640	510	490	390	390	320				370	300	3.67 m
-1.0 m	kg			1,690	1,210	940	730	650	510	490	390						430	350	3.33 m
-1.5 m	kg			*1,350	1,240	*960	740	660	530								*530	450	2.81 m

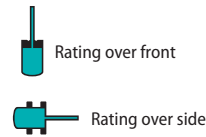
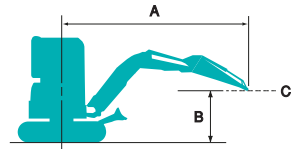
SK26SR Cab		Arm: 1.15 m Additional counterweight (+250 kg) Rubber shoe: 250 mm																	
B	A	1.0 m		1.5 m		2.0 m		2.5 m		3.0 m		3.5 m		4.0 m		At max. reach		Radius	
3.5 m	kg																*580	*580	2.86 m
3.0 m	kg																*550	480	3.36 m
2.5 m	kg									*520	*520	*530	450				490	410	3.69 m
2.0 m	kg									*580	560	530	440				450	370	3.90 m
1.5 m	kg							*820	710	660	550	530	430	430	350		420	350	4.02 m
1.0 m	kg							850	690	650	530	520	430	420	350		410	340	4.06 m
0.5 m	kg							830	670	640	520	510	420	420	350		420	340	4.01 m
G.L.	kg					1,190	920	820	660	630	510	500	410				440	360	3.89 m
-0.5 m	kg	*1,170	*1,170	*1,340	*1,340	1,190	930	820	660	630	510	500	410				470	390	3.67 m
-1.0 m	kg			*1,910	1,550	1,200	930	830	660	630	510						550	450	3.33 m
-1.5 m	kg			*1,360	*1,360	*960	950	*700	680								*530	*530	2.81 m

SK26SR Cab		Arm: 1.40 m Standard counterweight Rubber shoe: 250 mm																	
B	A	1.0 m		1.5 m		2.0 m		2.5 m		3.0 m		3.5 m		4.0 m		At max. reach		Radius	
3.5 m	kg																490	400	3.24 m
3.0 m	kg												430	360			390	320	3.68 m
2.5 m	kg											430	350				340	280	3.97 m
2.0 m	kg									*510	450	430	350	340	280		310	260	4.16 m
1.5 m	kg							*710	570	530	430	420	340	330	270		300	240	4.27 m
1.0 m	kg							680	540	510	410	400	330	330	270		290	240	4.31 m
0.5 m	kg					930	710	650	510	490	400	390	320	320	260		290	240	4.27 m
G.L.	kg					920	700	640	500	480	390	390	310	320	260		300	240	4.15 m
-0.5 m	kg	*930	*930	*1,130	*1,130	910	700	630	490	480	380	380	310				320	260	3.95 m
-1.0 m	kg	*1,350	*1,350	1,650	1,180	920	700	630	500	480	380	390	310				370	290	3.65 m
-1.5 m	kg	*1,870	*1,870	1,670	1,200	940	720	640	510	490	390						450	360	3.20 m
-2.0 m	kg					*680	*680										*430	*430	2.50 m

SK26SR Cab		Arm: 1.40 m Additional counterweight (+250 kg) Rubber shoe: 250 mm																	
B	A	1.0 m		1.5 m		2.0 m		2.5 m		3.0 m		3.5 m		4.0 m		At max. reach		Radius	
3.5 m	kg																*510	510	3.24 m
3.0 m	kg											*470	450				*490	410	3.68 m
2.5 m	kg											*460	450				440	360	3.97 m
2.0 m	kg									*510	*510	*490	440	430	360		400	330	4.16 m
1.5 m	kg							*710	*710	*600	550	530	430	430	350		380	320	4.27 m
1.0 m	kg							860	690	650	530	510	420	420	350		380	310	4.31 m
0.5 m	kg					*1,120	920	830	660	630	510	500	410	420	340		380	310	4.27 m
G.L.	kg					1,170	910	810	650	620	500	500	410	410	340		390	320	4.15 m
-0.5 m	kg	*930	*930	*1,130	*1,130	1,170	900	810	640	610	500	490	400				420	340	3.95 m
-1.0 m	kg	*1,350	*1,350	*1,660	1,510	1,170	910	810	650	620	500	500	410				470	390	3.65 m
-1.5 m	kg	*1,870	*1,870	*1,750	1,530	*1,150	920	820	660	*610	510						*510	470	3.20 m
-2.0 m	kg					*680	*680										*430	*430	2.50 m

- Do not attempt to lift or hold any load that is greater than these lift capacities at their specified lift point radius and heights. Weight of all accessories must be deducted from the above lift capacities.
- Lift capacities are based on machine standing on level, firm, and uniform ground. User must make allowance for job conditions such as soft or uneven ground, out of level conditions, side loads, sudden stopping of loads, hazardous conditions, experience of personnel, etc.
- Arm top defined as lift point.
- The above lift capacities are in compliance with ISO 10567. They do not exceed 87% of hydraulic lift capacity or 75% of tipping load. Lift capacities marked with an asterisk(\*) are limited by hydraulic capacity rather than tipping load.
- Operator should be fully acquainted with the Operator's and Maintenance Instructions before operating this machine. Rules for safe operation of equipment should be adhered to at all times.
- Lift capacities apply to only machine as originally manufactured and normally equipped by KOBELCO CONSTRUCTION MACHINERY CO., LTD.

# Lift capacities



A: Reach from swing centreline to arm top  
 B: Arm top height above/below ground  
 C: Lift point  
 Bucket: Without  
 Dozer: Blade up  
 Relief valve setting: 23.0 MPa

SK28SR Canopy		Arm: 1.18 m		Standard counterweight		Rubber shoe: 300 mm												
B	A	1.0 m		1.5 m		2.0 m		2.5 m		3.0 m		3.5 m		4.0 m		At max. reach		Radius
		Rating over front	Rating over side	Rating over front	Rating over side	Rating over front	Rating over side	Rating over front	Rating over side	Rating over front	Rating over side	Rating over front	Rating over side	Rating over front	Rating over side	Rating over front	Rating over side	
3.5 m	kg									660	520					630	500	3.07 m
3.0 m	kg									*630	530	500	400			500	390	3.52 m
2.5 m	kg									650	520	500	400			430	340	3.82 m
2.0 m	kg					*1,140	960	860	670	630	500	490	390	390	310	390	310	4.01 m
1.5 m	kg							810	620	610	470	480	370	380	300	370	290	4.11 m
1.0 m	kg							770	590	580	450	460	360	380	300	360	280	4.13 m
0.5 m	kg							750	560	570	440	450	350	370	290	360	280	4.07 m
G.L.	kg					1,080	790	740	560	560	430	440	340			380	290	3.93 m
-0.5 m	kg	*1,560	*1,560	*1,720	1,340	1,080	790	740	560	550	430	440	340			410	320	3.69 m
-1.0 m	kg	*2,090	*2,090	2,010	1,360	1,100	800	740	560	560	430					480	380	3.33 m
-1.5 m	kg			2,060	1,390	1,120	830	760	580							650	500	2.77 m

SK28SR Canopy		Arm: 1.18 m		Additional counterweight (+250 kg)		Rubber shoe: 300 mm												
B	A	1.0 m		1.5 m		2.0 m		2.5 m		3.0 m		3.5 m		4.0 m		At max. reach		Radius
		Rating over front	Rating over side	Rating over front	Rating over side	Rating over front	Rating over side	Rating over front	Rating over side	Rating over front	Rating over side	Rating over front	Rating over side	Rating over front	Rating over side	Rating over front	Rating over side	
3.5 m	kg									*670	640					*680	610	3.07 m
3.0 m	kg									*630	*630	620	500			610	490	3.52 m
2.5 m	kg									*680	630	610	490			530	430	3.82 m
2.0 m	kg					*1,140	*1,140	*890	820	770	610	600	480	490	390	480	390	4.01 m
1.5 m	kg							990	770	750	590	590	470	480	380	460	370	4.11 m
1.0 m	kg							950	740	720	570	580	460	470	380	450	360	4.13 m
0.5 m	kg							930	710	710	550	560	450	470	370	460	360	4.07 m
G.L.	kg					1,340	990	920	710	700	550	560	440			480	380	3.93 m
-0.5 m	kg	*1,560	*1,560	*1,720	1,680	1,340	1,000	920	710	700	540	560	440			520	410	3.69 m
-1.0 m	kg	*2,090	*2,090	*2,450	1,700	1,360	1,010	930	710	700	550					610	480	3.33 m
-1.5 m	kg			*2,060	1,730	1,380	1,030	950	730							810	630	2.77 m

SK28SR Canopy		Arm: 1.48 m		Standard counterweight		Rubber shoe: 300 mm												
B	A	1.0 m		1.5 m		2.0 m		2.5 m		3.0 m		3.5 m		4.0 m		At max. reach		Radius
		Rating over front	Rating over side	Rating over front	Rating over side	Rating over front	Rating over side	Rating over front	Rating over side	Rating over front	Rating over side	Rating over front	Rating over side	Rating over front	Rating over side	Rating over front	Rating over side	
3.5 m	kg															510	410	3.47 m
3.0 m	kg											510	410			430	340	3.86 m
2.5 m	kg											500	400	400	310	370	300	4.12 m
2.0 m	kg									640	500	490	390	390	310	340	270	4.29 m
1.5 m	kg							830	640	610	480	480	370	380	300	330	260	4.39 m
1.0 m	kg							780	590	590	450	460	360	370	290	320	250	4.40 m
0.5 m	kg							740	560	560	430	450	350	360	280	320	250	4.35 m
G.L.	kg					1,060	770	730	550	550	420	440	340	360	280	330	260	4.22 m
-0.5 m	kg	*1,240	*1,240	*1,450	1,300	1,060	770	720	540	540	410	430	330	360	280	360	280	4.01 m
-1.0 m	kg	*1,650	*1,650	1,960	1,310	1,070	780	720	540	540	410	430	330			400	310	3.69 m
-1.5 m	kg	*2,140	*2,140	1,990	1,340	1,090	790	740	550	550	430					500	390	3.22 m
-2.0 m	kg			*1,720	1,390	1,120	820									780	590	2.48 m

SK28SR Canopy		Arm: 1.48 m		Additional counterweight (+250 kg)		Rubber shoe: 300 mm												
B	A	1.0 m		1.5 m		2.0 m		2.5 m		3.0 m		3.5 m		4.0 m		At max. reach		Radius
		Rating over front	Rating over side	Rating over front	Rating over side	Rating over front	Rating over side	Rating over front	Rating over side	Rating over front	Rating over side	Rating over front	Rating over side	Rating over front	Rating over side	Rating over front	Rating over side	
3.5 m	kg															*590	510	3.47 m
3.0 m	kg											*550	500			530	420	3.86 m
2.5 m	kg											*570	500	490	400	470	370	4.12 m
2.0 m	kg									*660	620	610	490	490	390	430	350	4.29 m
1.5 m	kg							*970	790	750	600	590	470	480	380	410	330	4.39 m
1.0 m	kg							960	740	730	570	570	460	470	370	400	320	4.40 m
0.5 m	kg							930	710	700	550	560	440	460	360	410	320	4.35 m
G.L.	kg					1,320	980	910	700	690	540	550	430	450	360	420	330	4.22 m
-0.5 m	kg	*1,240	*1,240	*1,450	*1,450	1,320	980	900	690	680	530	550	430	450	360	450	360	4.01 m
-1.0 m	kg	*1,650	*1,650	*1,970	1,650	1,330	980	910	690	680	530	550	430			510	400	3.69 m
-1.5 m	kg	*2,140	*2,140	2,460	1,680	1,350	1,000	920	710	690	540					630	490	3.22 m
-2.0 m	kg			*1,720	*1,720	*1,150	1,030									*810	740	2.48 m

SK28SR Cab		Arm: 1.18 m		Standard counterweight		Rubber shoe: 300 mm												
B	A	1.0 m		1.5 m		2.0 m		2.5 m		3.0 m		3.5 m		4.0 m		At max. reach		Radius
3.5 m	kg									*670	550					670	530	3.07 m
3.0 m	kg									*630	550	530	420			530	420	3.52 m
2.5 m	kg									*680	540	530	420			450	360	3.82 m
2.0 m	kg					*1,140	1,010	*890	700	670	520	520	410	410	330	410	320	4.01 m
1.5 m	kg							860	660	640	500	500	400	410	320	390	310	4.11 m
1.0 m	kg							820	620	620	480	490	380	400	310	380	300	4.13 m
0.5 m	kg							790	600	600	460	480	370	400	310	390	300	4.07 m
G.L.	kg					1,140	830	780	590	590	450	470	370			400	310	3.93 m
-0.5 m	kg	*1,560	*1,560	*1,720	1,420	1,150	840	780	590	590	450	470	370			440	340	3.69 m
-1.0 m	kg	*2,090	*2,090	2,140	1,430	1,160	850	790	600	600	460					520	400	3.33 m
-1.5 m	kg			*2,060	1,470	1,190	870	810	610							690	530	2.77 m

SK28SR Cab		Arm: 1.18 m		Additional counterweight (+250 kg)		Rubber shoe: 300 mm												
B	A	1.0 m		1.5 m		2.0 m		2.5 m		3.0 m		3.5 m		4.0 m		At max. reach		Radius
3.5 m	kg									*670	*670					*680	640	3.07 m
3.0 m	kg									*630	*630	640	520			640	510	3.52 m
2.5 m	kg									*680	660	640	510			560	450	3.82 m
2.0 m	kg					*1,140	*1,140	*890	850	*780	640	630	500	510	410	510	410	4.01 m
1.5 m	kg							1,040	810	780	620	620	490	500	400	480	390	4.11 m
1.0 m	kg							1,000	770	760	600	610	480	500	400	470	380	4.13 m
0.5 m	kg							980	750	740	580	590	470	490	390	480	380	4.07 m
G.L.	kg					1,410	1,040	970	740	730	570	590	460			500	400	3.93 m
-0.5 m	kg	*1,560	*1,560	*1,720	*1,720	1,410	1,040	970	740	730	570	590	460			550	430	3.69 m
-1.0 m	kg	*2,090	*2,090	*2,450	1,770	1,430	1,060	970	750	740	580					640	500	3.33 m
-1.5 m	kg			*2,060	1,800	*1,410	1,080	990	760							850	660	2.77 m

SK28SR Cab		Arm: 1.48 m		Standard counterweight		Rubber shoe: 300 mm												
B	A	1.0 m		1.5 m		2.0 m		2.5 m		3.0 m		3.5 m		4.0 m		At max. reach		Radius
3.5 m	kg															540	430	3.47 m
3.0 m	kg											540	430			450	360	3.86 m
2.5 m	kg											530	420	420	330	400	310	4.12 m
2.0 m	kg										*660	530	520	410	420	330	370	4.29 m
1.5 m	kg							880	670	650	500	510	400	410	320	350	270	4.39 m
1.0 m	kg							830	630	620	480	490	380	400	310	340	260	4.40 m
0.5 m	kg							790	600	600	460	480	370	390	300	340	260	4.35 m
G.L.	kg					1,120	810	770	580	590	450	470	360	380	300	350	270	4.22 m
-0.5 m	kg	*1,240	*1,240	*1,450	1,370	1,120	810	770	570	580	440	460	350	380	290	380	290	4.01 m
-1.0 m	kg	*1,650	*1,650	*1,970	1,390	1,130	820	770	580	580	440	460	360			430	330	3.69 m
-1.5 m	kg	*2,140	*2,140	2,110	1,410	1,150	840	780	590	590	450					530	410	3.22 m
-2.0 m	kg			*1,720	1,460	*1,150	870									*810	620	2.48 m

SK28SR Cab		Arm: 1.48 m		Additional counterweight (+250 kg)		Rubber shoe: 300 mm												
B	A	1.0 m		1.5 m		2.0 m		2.5 m		3.0 m		3.5 m		4.0 m		At max. reach		Radius
3.5 m	kg															*590	530	3.47 m
3.0 m	kg											*550	520			550	440	3.86 m
2.5 m	kg											*570	520	520	410	490	390	4.12 m
2.0 m	kg										*660	650	*630	510	510	410	450	4.29 m
1.5 m	kg							*970	820	790	620	620	490	500	400	430	340	4.39 m
1.0 m	kg							1,010	780	760	600	600	480	490	390	430	340	4.40 m
0.5 m	kg							970	750	740	580	590	460	480	380	430	340	4.35 m
G.L.	kg					1,390	1,020	960	730	730	560	580	450	480	380	440	350	4.22 m
-0.5 m	kg	*1,240	*1,240	*1,450	*1,450	1,390	1,020	950	720	720	560	570	450	480	380	480	380	4.01 m
-1.0 m	kg	*1,650	*1,650	*1,970	1,720	1,400	1,030	950	730	720	560	580	450			540	420	3.69 m
-1.5 m	kg	*2,140	*2,140	2,580	1,750	1,420	1,050	970	740	730	570					660	520	3.22 m
-2.0 m	kg			*1,720	*1,720	*1,150	1,080									*810	780	2.48 m

- Do not attempt to lift or hold any load that is greater than these lift capacities at their specified lift point radius and heights. Weight of all accessories must be deducted from the above lift capacities.
- Lift capacities are based on machine standing on level, firm, and uniform ground. User must make allowance for job conditions such as soft or uneven ground, out of level conditions, side loads, sudden stopping of loads, hazardous conditions, experience of personnel, etc.
- Arm top defined as lift point.
- The above lift capacities are in compliance with ISO 10567. They do not exceed 87% of hydraulic lift capacity or 75% of tipping load. Lift capacities marked with an asterisk(\*) are limited by hydraulic capacity rather than tipping load.
- Operator should be fully acquainted with the Operator's and Maintenance Instructions before operating this machine. Rules for safe operation of equipment should be adhered to at all times.
- Lift capacities apply to only machine as originally manufactured and normally equipped by KOBELCO CONSTRUCTION MACHINERY CO., LTD.

---

Note: This catalogue may contain attachments and optional equipment that are not available in your area. And it may contain photographs of machines with specifications that differ from those of machines sold in your areas. Please consult your nearest KOBELCO distributor for those items you require.  
Specialist equipment is needed to use this machine in demolition work. Before using it please contact your KOBELCO dealer.  
Due to our policy of continuous product improvements all designs and specifications are subject to change without advance notice.  
Copyright by **KOBELCO CONSTRUCTION MACHINERY CO., LTD.** No part of this catalogue may be reproduced in any manner without notice.

---

**KOBELCO CONSTRUCTION MACHINERY EUROPE B.V.**

Veluwezoom 15  
1327 AE Almere  
The Netherlands  
[www.kobelco-europe.com](http://www.kobelco-europe.com)

Enquiries To: